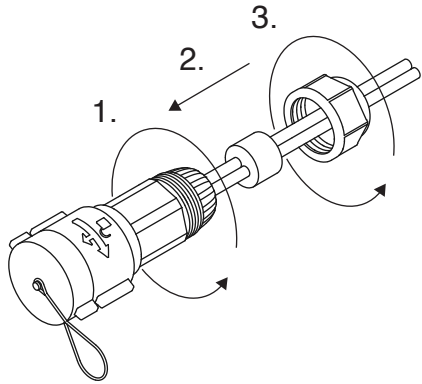
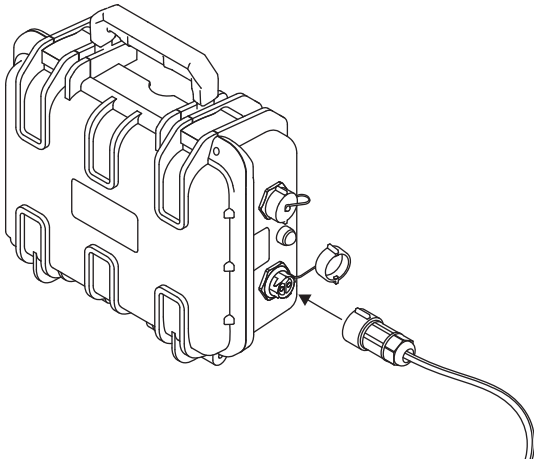


- 5** Screw the plug firmly together.
The red rubber seal should not be visible.
Pay attention to the right order!



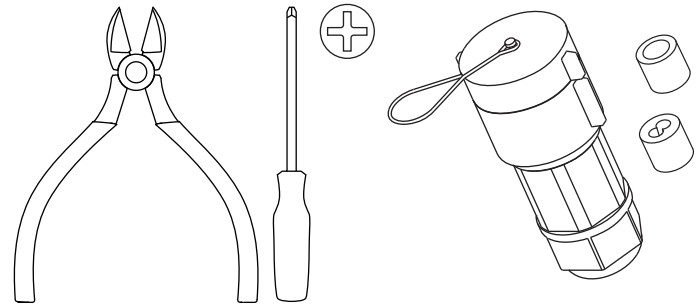
- 6** Plug into battery.



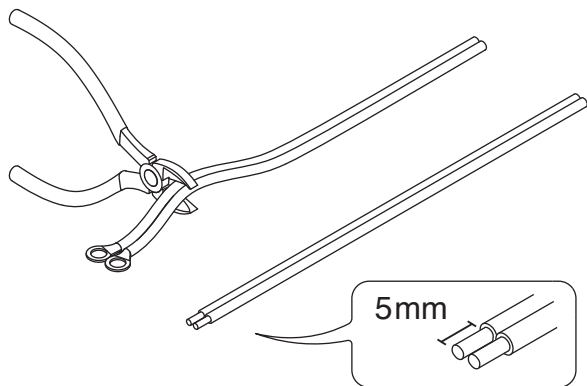
Manual: How to install the waterproof plug.

Recommended tools:
Wirecutter
Philips PH 1

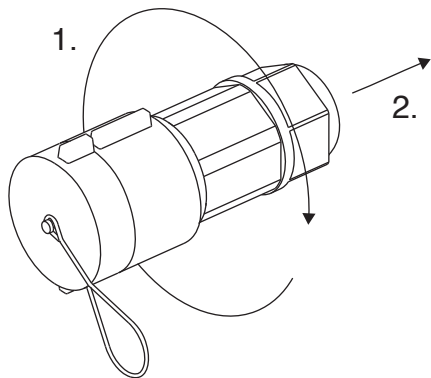
Box contains:
MB Plug
2x sealing gasket



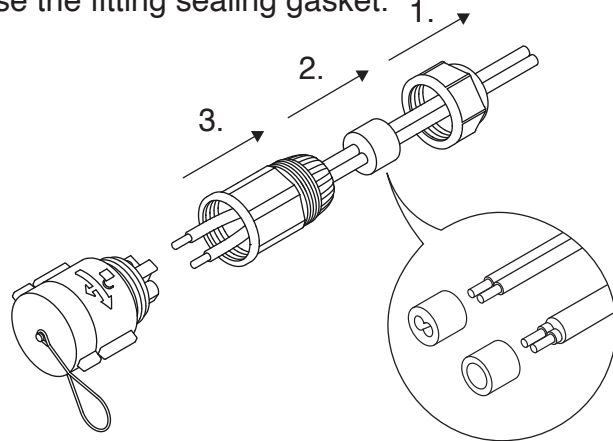
1 Strip 5mm of your motor cable.



2 Unscrew the plug.



3 Insert the cable in the right order.
Use the fitting sealing gasket.



4 Fix the cable. This sign must be on top: ↖ ↗

